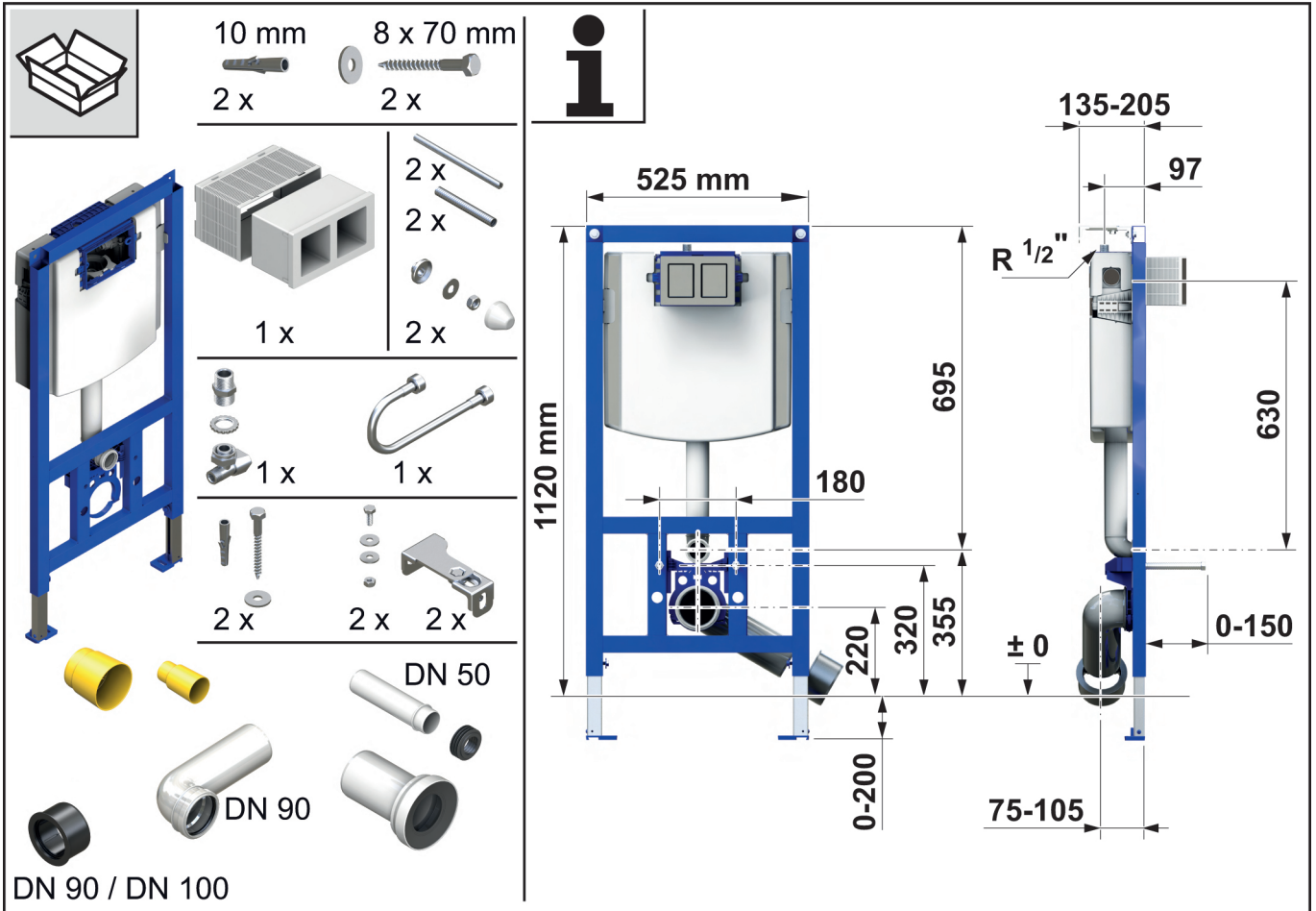
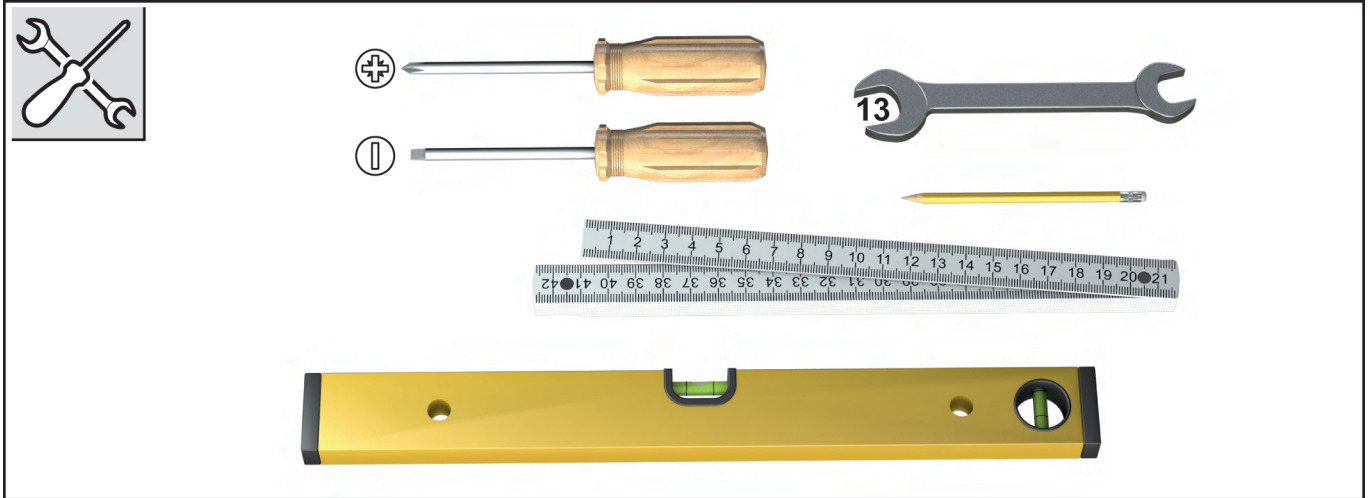


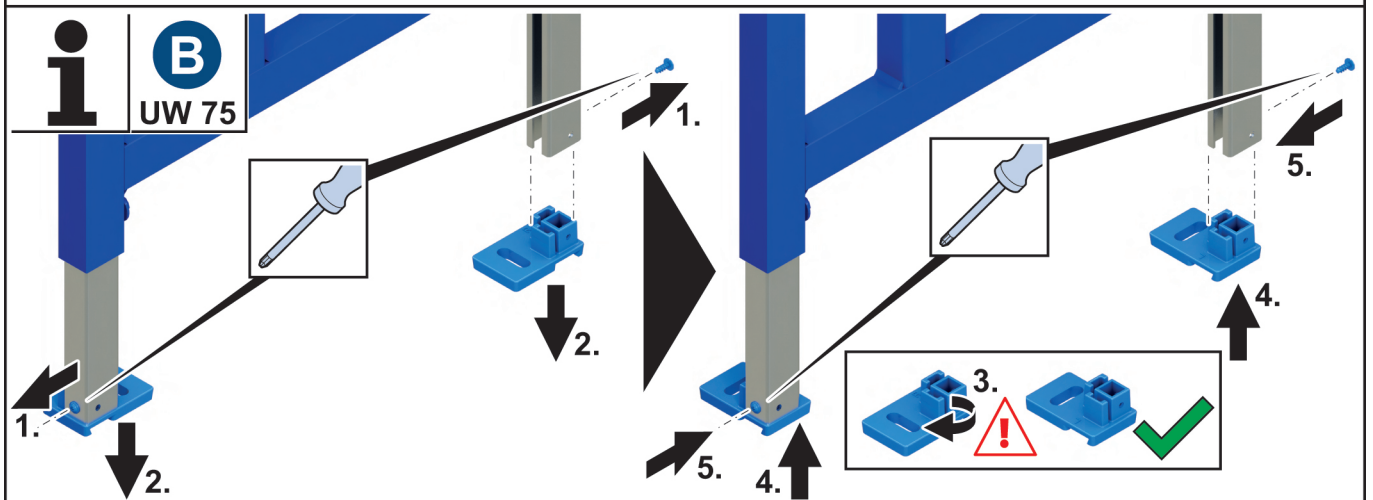
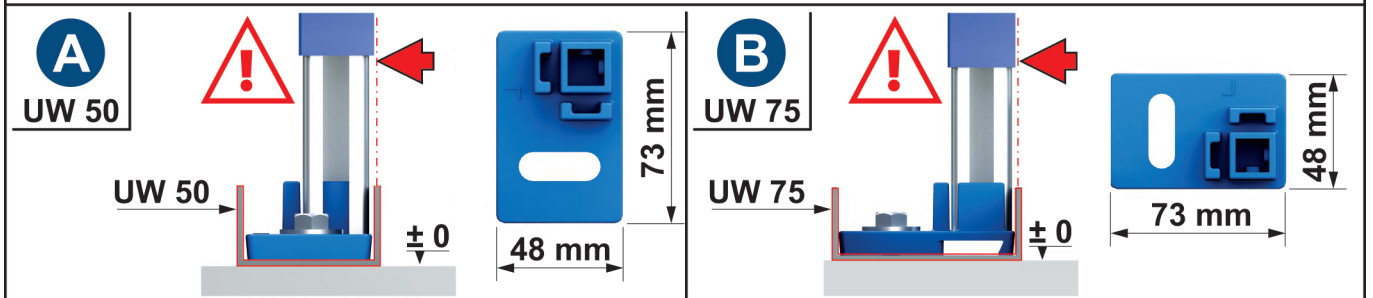
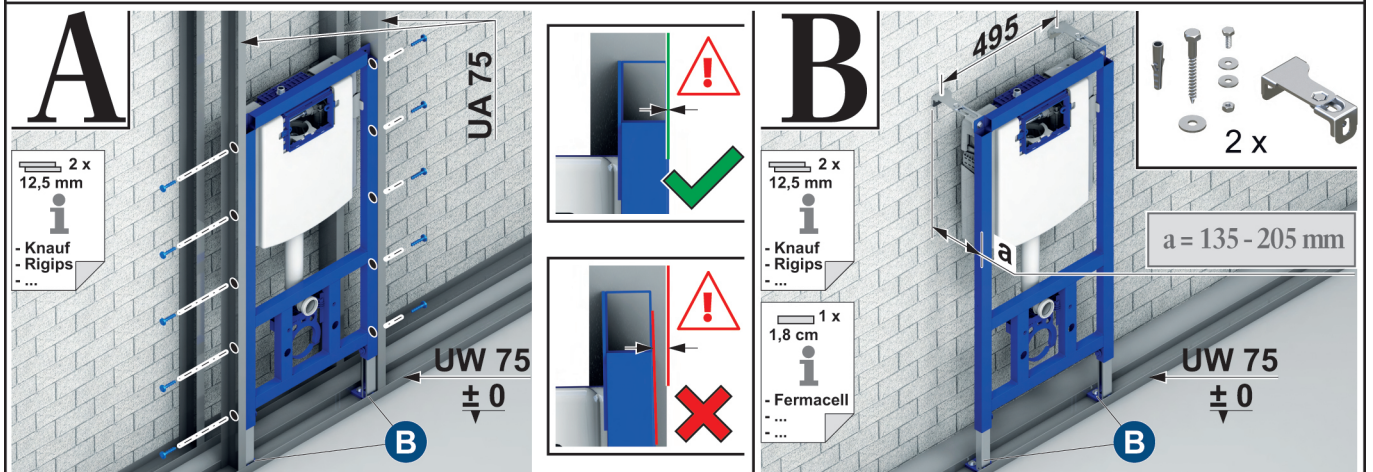
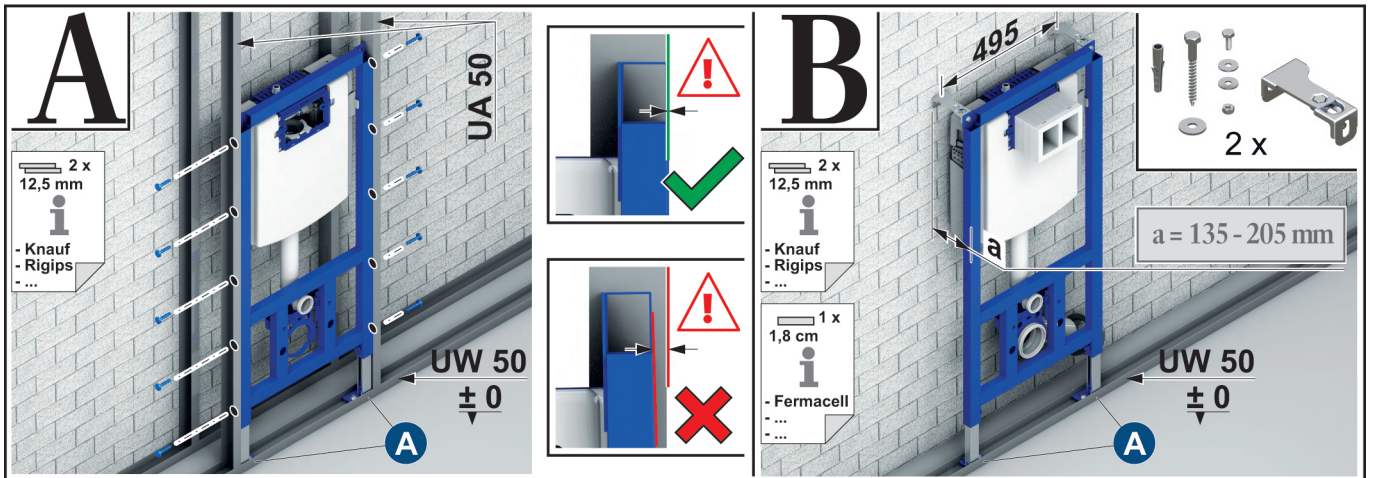
ViConnect

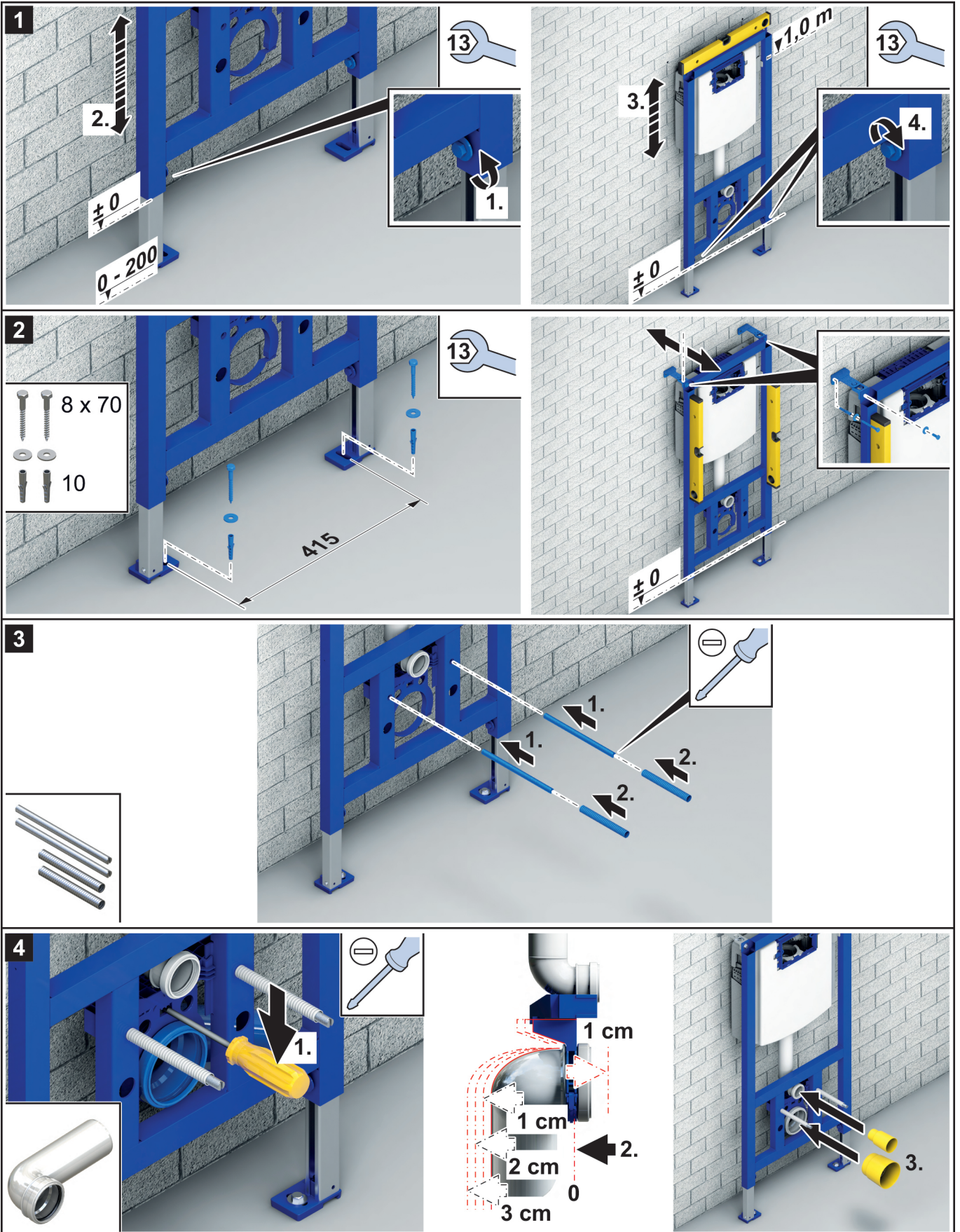


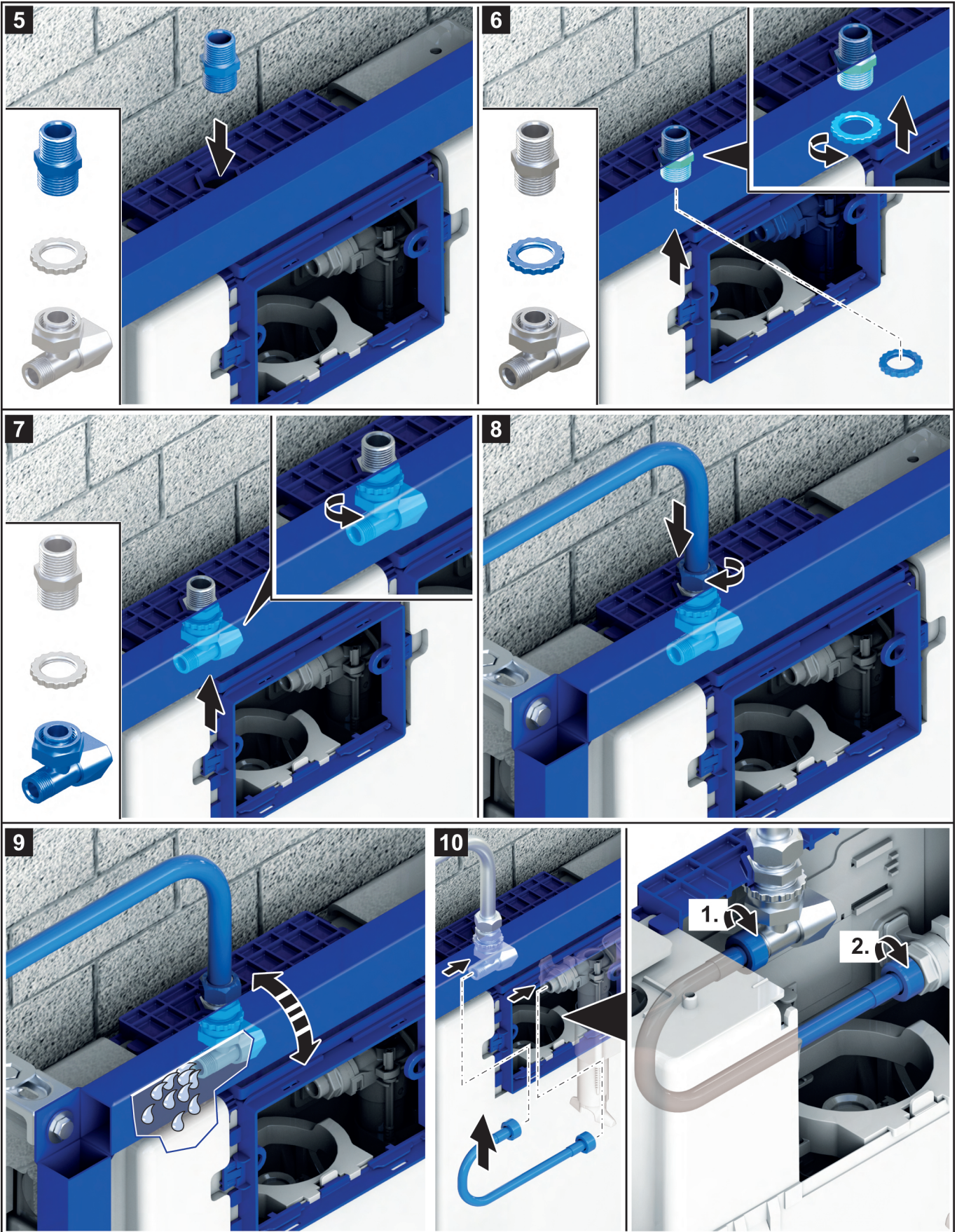
- | | | | |
|---------------------------------------|---------------------------------|---------------------------------|----------------------------------|
| DE Montageanleitung | AR دليل التركيب | HU Szerelési útmutató | PT Instruções de montagem |
| EN Installation instructions | BG Ръководство за монтаж | ID Petunjuk pemasangan | RO Manual de montaj |
| ES Instrucciones de montaje | CS Návod k montáži | JA 取付説明書 | SK Návod na montáž |
| FR Instructions de montage | DA Monteringsvejledning | KO 설치 가이드 | SL Navodila za montažo |
| IT Istruzioni per il montaggio | ET Paigaldusjuhend | LT Montavimo instrukcija | SV Monteringsanvisning |
| NL Montagehandleiding | EL Οδηγίες τοποθέτησης | LV Montāžas instrukcija | TH คู่มือการติดตั้ง |
| RU Инструкция по монтажу | FI Asennusohje | NO Monteringsanvisning | TR Montaj kılavuzu |
| ZH 安装说明 | HR Uputa za montažu | PL Instrukcja montażu | UK Інструкція з монтажу |



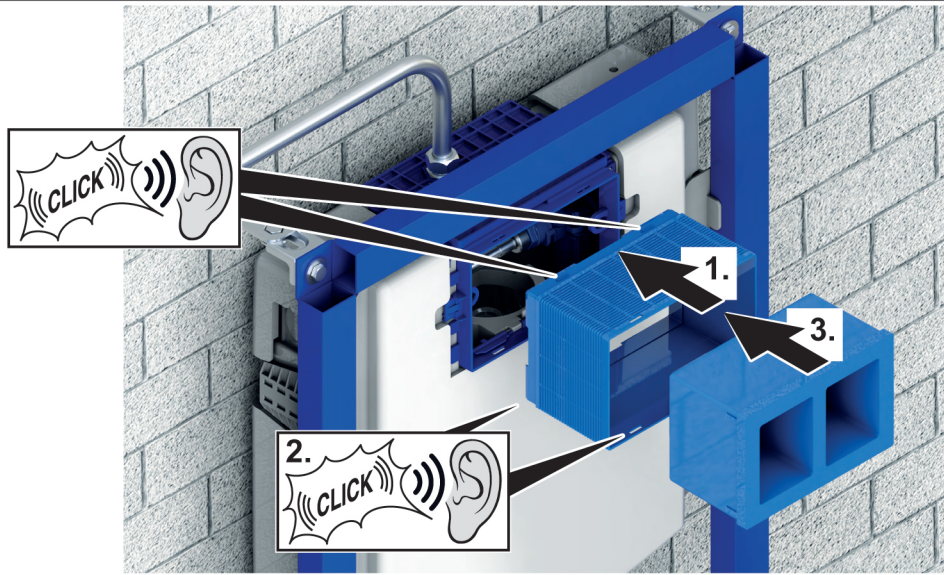






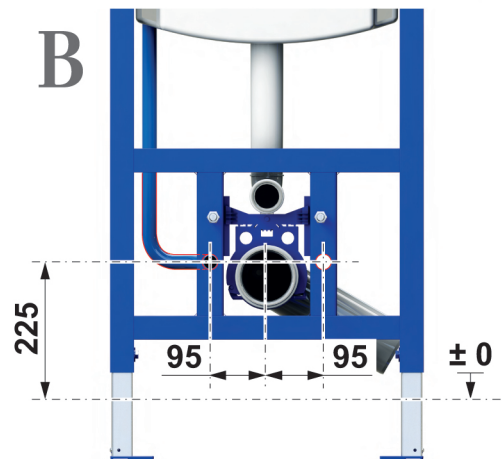
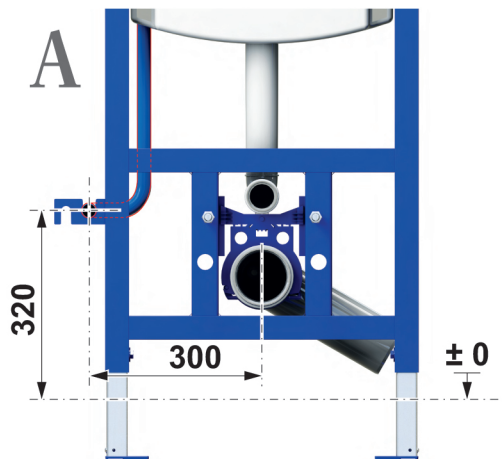


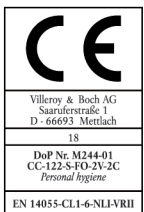
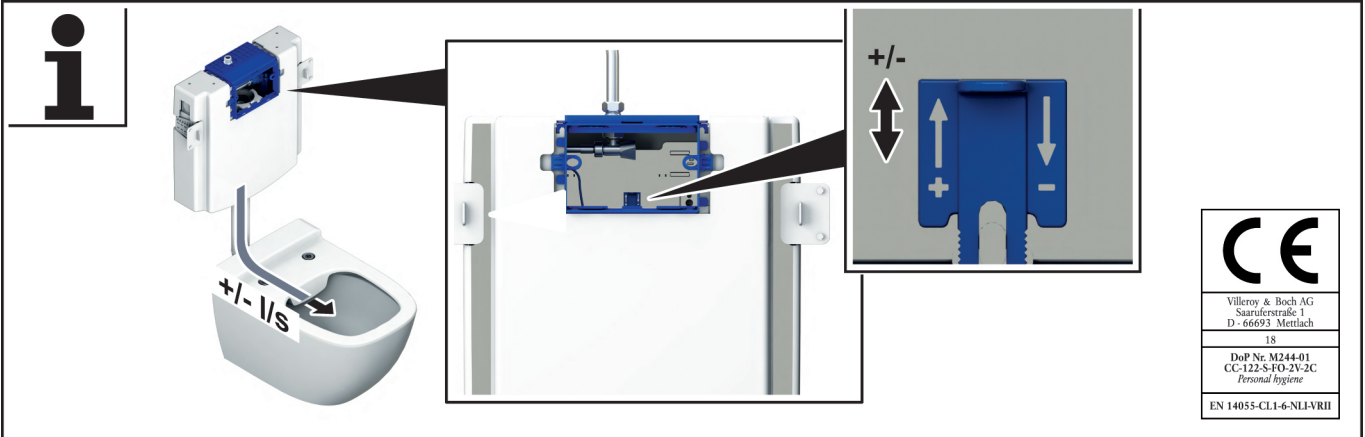
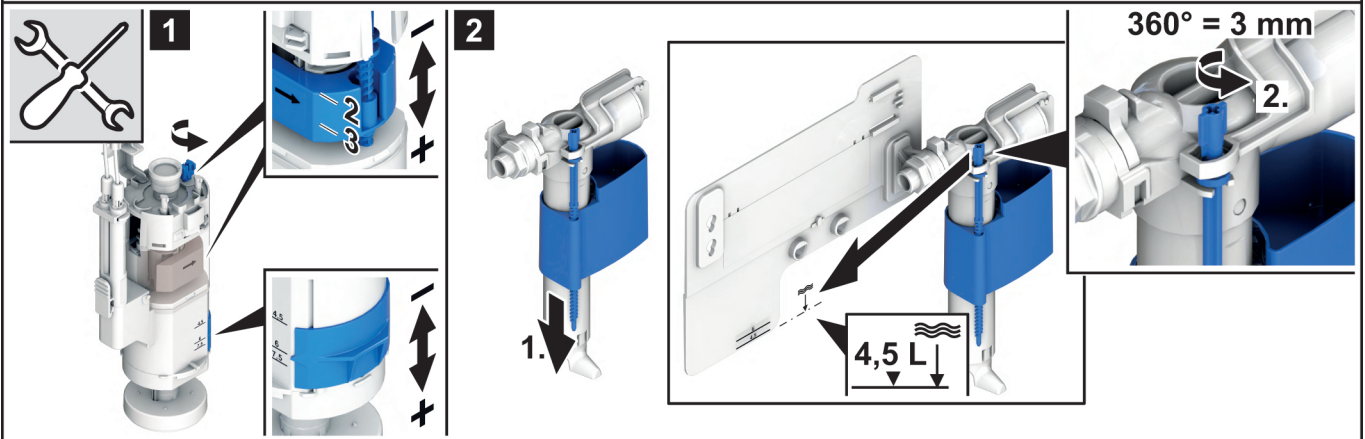
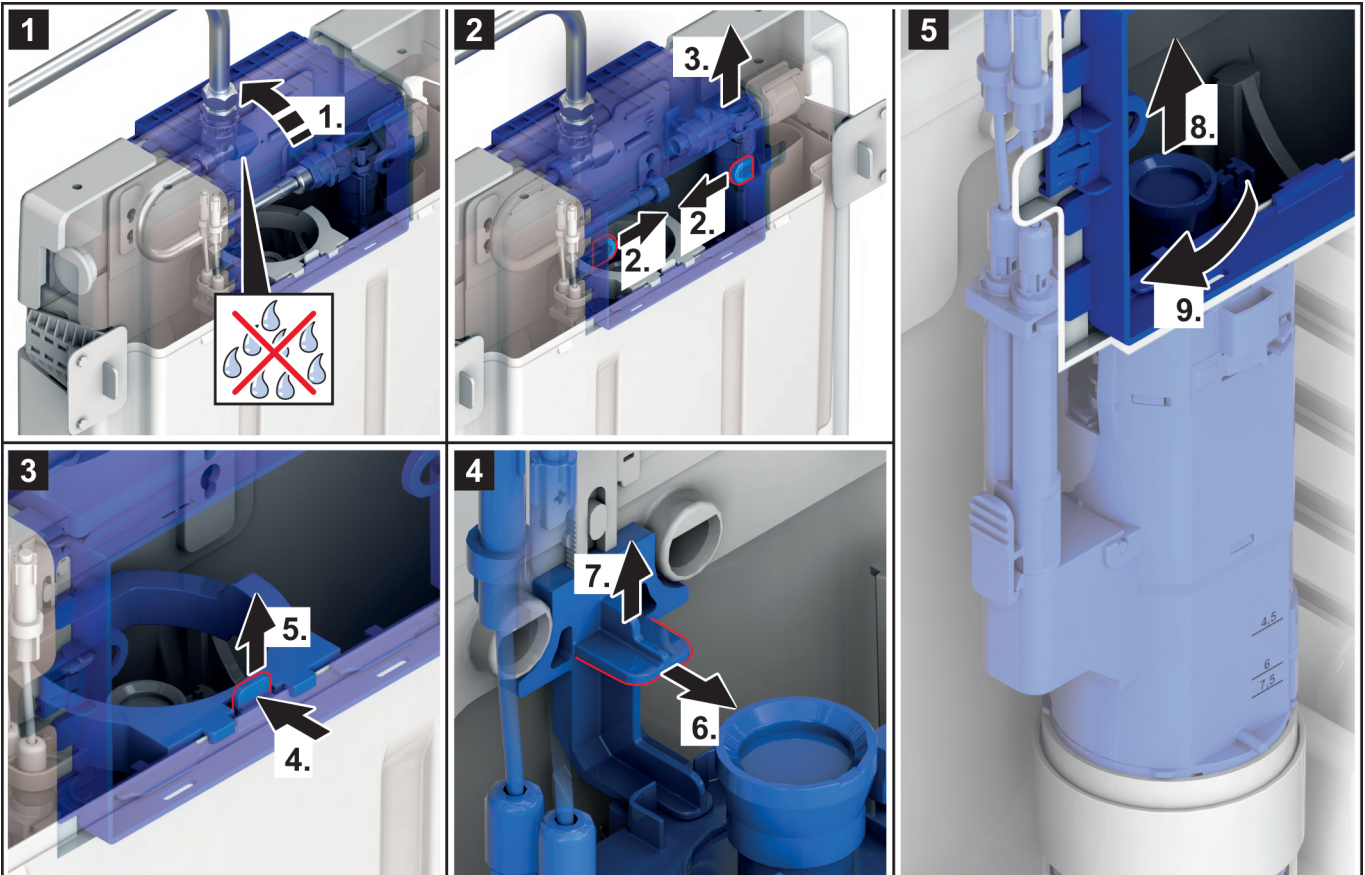
11



ViClean Art. 9218 51 00

Model	Article No.	Region	Connection Set	Position
ViClean-I100	V0E1 00 R1	EMEA	V990 84 00	
ViClean-L4	V02E L4 01	EMEA	9219 80 00	B
ViClean-L3	V02C L3 01	APAC (excl. TW)		
	V02T L3 01	TW		
ViClean-L6	V02C L6 01	APAC (excl. TW)		
	V02T L6 01	TW		
ViClean-U+	V01E U8 01	EMEA (excl. UK)	9219 80 00	A
	V01U U8 01	UK		
ViClean-U	V01E U7 01	EMEA (excl. CH, UK)	9219 81 00	
	V01H U7 01	CH		
	V01U U7 01	UK	9219 82 00	





VILLEROY & BOCH

GERMANY

*Villeroy & Boch AG
Bathroom and Wellness Division
Headquarters
66693 Mettlach
Germany*

Tel: +49 (0) 68 64 / 81 0

Fax: +49 (0) 68 64 / 81 1484